

# Model 222 (8 displays)

## Multi-Display Timer Featuring Day Part Menu



### Food Quality

Whether keeping product in a holding cabinet or chute, or grilling multiple products simultaneously, even the most well-trained staff is challenged to deliver consistent food product to your customers. The TRACKER® meets this challenge by precisely timing any combination of products throughout the kitchen, and prompting action with an audible tone and flashing display.

### Timing Cycles

Capable of 8 menus per day part. The 2 status LEDs illuminate to let you know the progress of each timing cycle for pre and post action alarm status.

### Food Safety

Product that is undercooked, or held too long in the Danger Zone (40°-140°F/5°-60°C) can potentially expose your customers and crew to dangerous food-borne illness. Bacteria multiplication can be prevented by controlling the time a product is cooked and/or held. The TRACKER helps operators avoid food safety dangers by automatically monitoring these cook and hold times.

### Easy To Use

Setting the TRACKER is as simple as an alarm clock. Each of the independent product keys can be programmed to count down in minutes and seconds or hours and minutes (up to 99 hours, 59 minutes per cycle) — eliminating human error, and automatically maintaining a higher level of control.

### Across-the-Kitchen Monitoring

The large easy-to-read green LED displays, each with two status LEDs, make checking progress of any food product from across the kitchen a cinch. Labor costs are reduced, while food quality is insured.

### Display Time or Product Names

It's your choice. The TRACKER can easily be programmed to display cycle time or product names. Names can be derived from a preloaded library or you can program your own.

### Unique Alarm Sounds

Each TRACKER can be programmed with one of six (6) different alarm sounds, making it easy for the crew to know which unit is sounding.

### Volume Control

The TRACKER comes standard with three programmable volume levels — low, medium and high. Use the TRACKER in the front or rear of the store without disturbing customers.

### Use It Anywhere

The TRACKER comes complete with mounting brackets to attach the unit to equipment, holding stations, or walls.

### After the Sale Support

As with all Kitchen Brains® products, the TRACKER Timer comes with 24-hour programming assistance via toll-free phone.

*Shifts from breakfast to lunch with the touch of a button! A specially designed TRACKER® Timer for stepping through a dedicated four-stage menu cycle with the touch of a button — ideally suited for fryer, grill and buffet line applications.*

### Capable of up to 4 Day Parts. For Example:

- Breakfast Menu
- Breakfast-to-Lunch Menu Transition
- Lunch Menu
- Dinner Menu

### Easy to Use

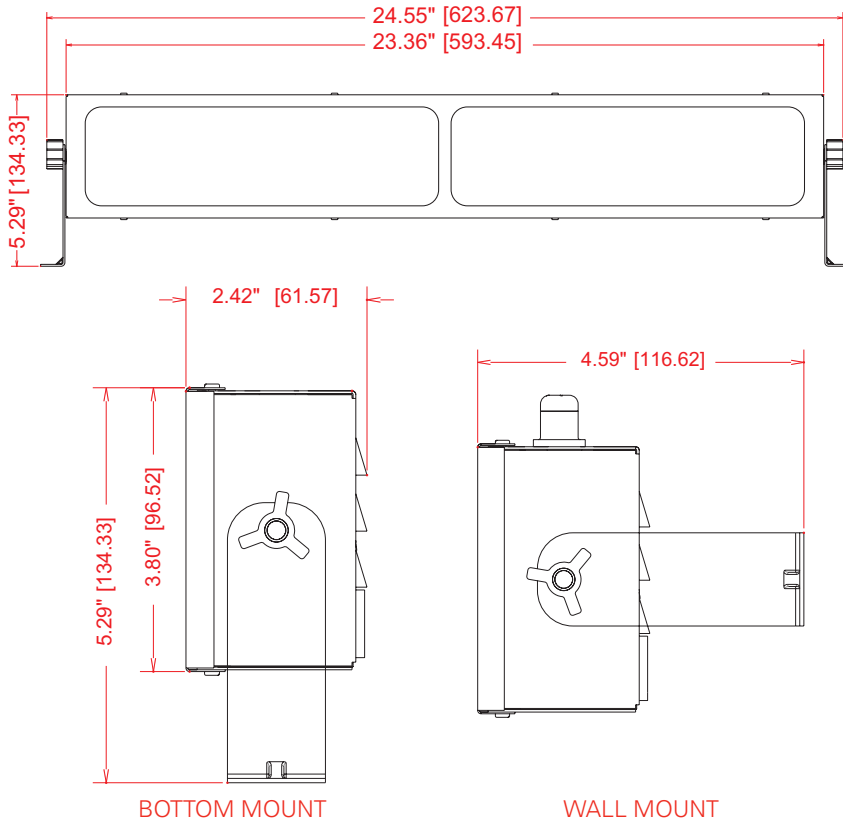
- Intuitive programming prompts
- Program unique words for product name and action alarm message
- Across-the-kitchen monitoring — 8 independent, easy-to-read green LED displays
- 2 status LEDs per product key pre and post action alarm
- Displays can show time or product names
- Flexible mounting — tilt to see from any angle
- Uses 90-240 volt power
- Count up or down option
- 6 unique alarm sounds
- 3 volume levels
- 4 menu day parts selectable

### Food Quality Improvements

- 4 parameters per product key — time, name, alarm time, and alarm name
- Flexibility with action alarms
- Precision and durability with electronics
- Power loss protection

# TRACKER™ Timer Model 222 (8 displays)

Multi-Display Timer Featuring Day Part Menu



## SPECIFICATIONS

### MECHANICAL

- 20 ga. (.036") stainless steel enclosure
- Polyester face with back-printed text
- Faceplate: polyester with back-printed text and removable menu strip
- Maximum ambient temperature: 158°F / 70°C, 95% max. non-condensing humidity

### ELECTRICAL

- Power Input: 90-240VAC, 50/60 Hz, Current less than 0.5 amp.
- 8 Four-Digit Displays: .625"H, 14-segment green LED
- Action Alarms: 1 per stage
- Indicators: green LED
- Power Cord: Removable 90-degree angle, 6-ft. oil-resistant neoprene, grounded
- Audio Output: 78 db @ 6 feet
- Solid-state integrated circuit design
- Switch life rating: 10 million cycles
- Status indicators rated life: 50,000 hours
- Noise spike protection: 4000 Volt Minimum (on timers and all properly installed controls)

### SHIPPING WEIGHT:

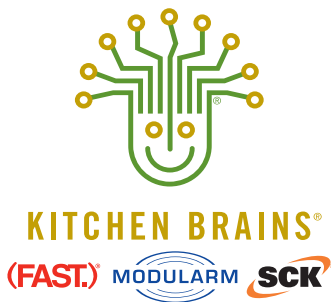
- Approx. 6 lbs. (2.72 Kg)



## ORDERING INFO

**TRACK2 2FT** TRACKER Model 222 with Day Part Menu

NOTE: When ordering, indicate voltage and type of line cord required.



**Food Automation - Service Techniques, Inc.**  
 905 Honeyspot Road, Stratford, CT 06615-7147 USA  
 Phone: +1-203-377-4414  
 Sales: 1-800-FASTRON  
 Fax: +1-203-377-8187  
 www.KitchenBrains.com

Toll-free technical support from the U.S., Canada, and Caribbean: 1-866-840-4271

**Europe, Middle East, Africa**  
 31 Saffron Court Southfields Business Park  
 Basildon, Essex SS15 6SS ENGLAND  
 Phone: +44 0 1268544000

**China**  
 1803, 18F, No 922 Hengshan Rd  
 Shanghai 200030, CHINA  
 Phone: +8613916 854 613

**Asia Pacific**  
 13A MacKenzie Road  
 228676  
 Singapore  
 Phone: +65 98315927

